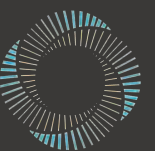
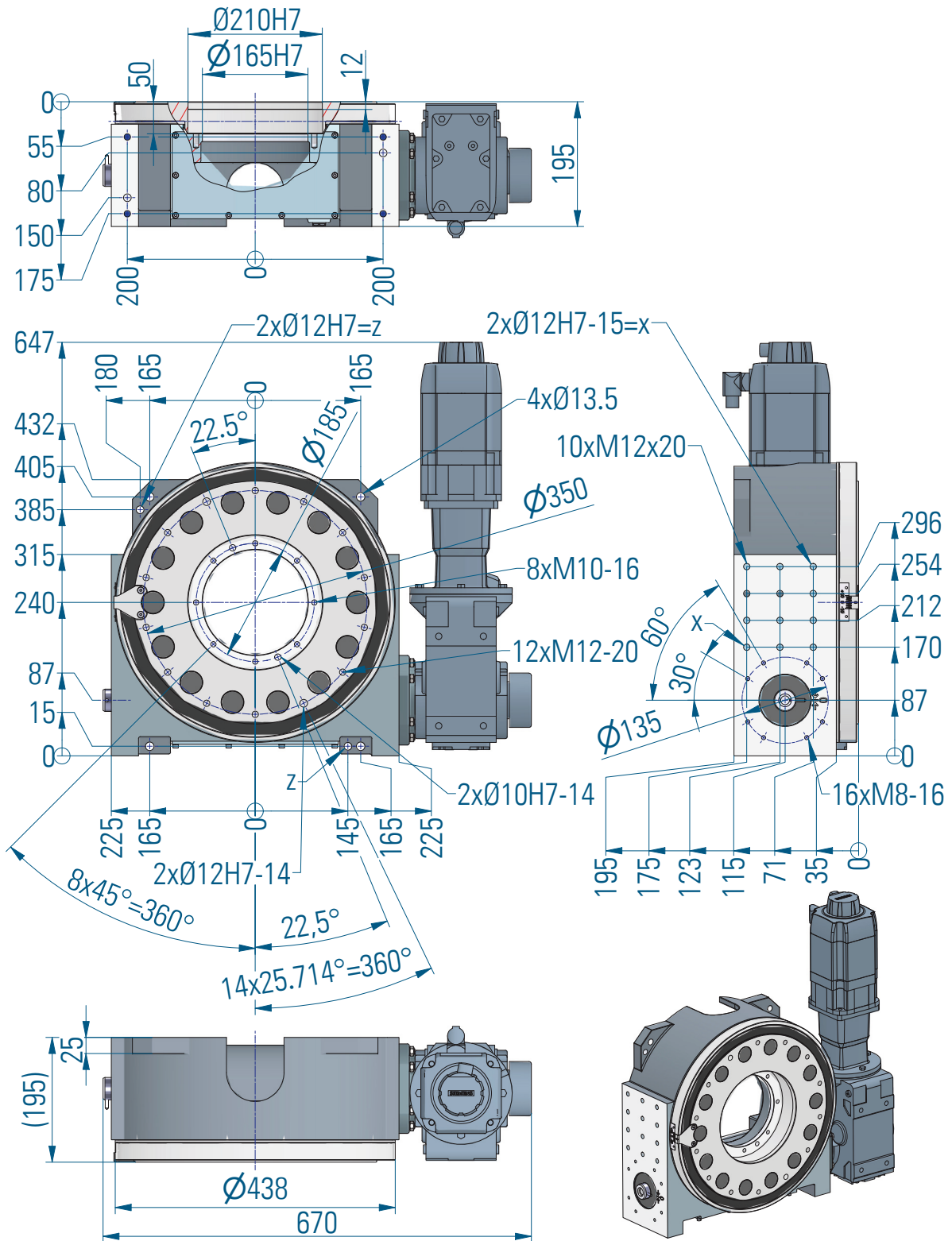


# VTMF Series

Trunnion



# VTMF1010



## VTMF1010 Technical Data

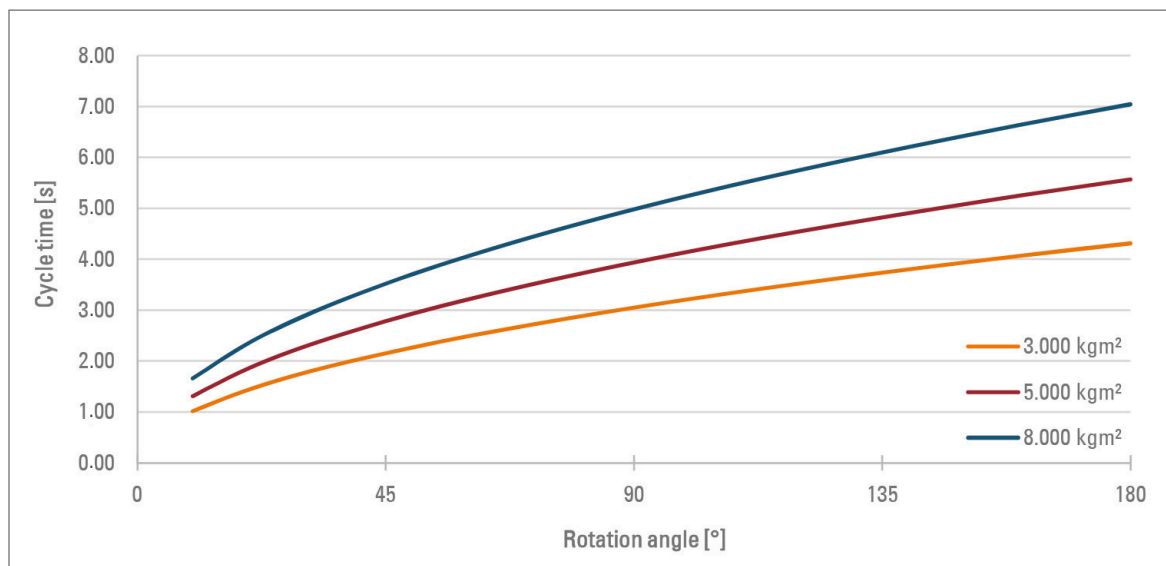
### Main dimensions

Output flange Ø [mm]	380
Height rotation center [mm]	240
Center hole Ø [mm]	165
Approx. weight of rotary indexing table with drive [kg]	165
Gear ratio	14
Positioning accuracy [“]	±30
Repeat accuracy [“]	±10
Wobble at the roll star Ø [mm]	0.02
Concentricity at the roll star Ø [mm]	0.02

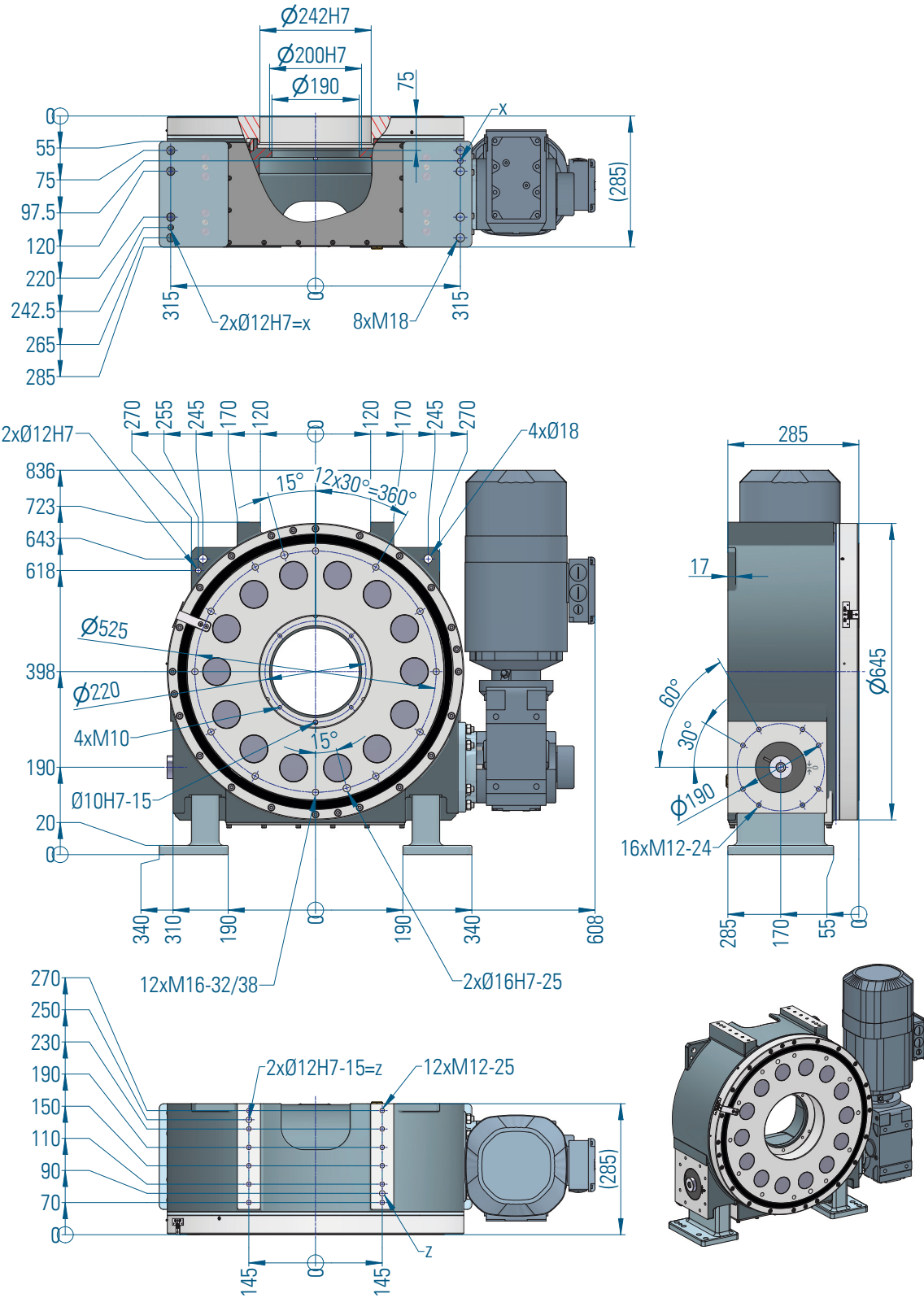
### Load on output flange

max. vertical force Ca [kN] dyn	20
max. vertical force COa [kN] stat	213
max. radial force Cr [kN] dyn	29
max. radial force COr [kN] stat	100
max. tilting moment COm [kNm]	19

These are maximum values for individual acting forces occurring. If there are several acting forces in total, please get in contact with us to help you create a calculation with the maximum permissible acting forces, moments and life cycle.



# VTMF2010



## VTMF2010 Technical Data

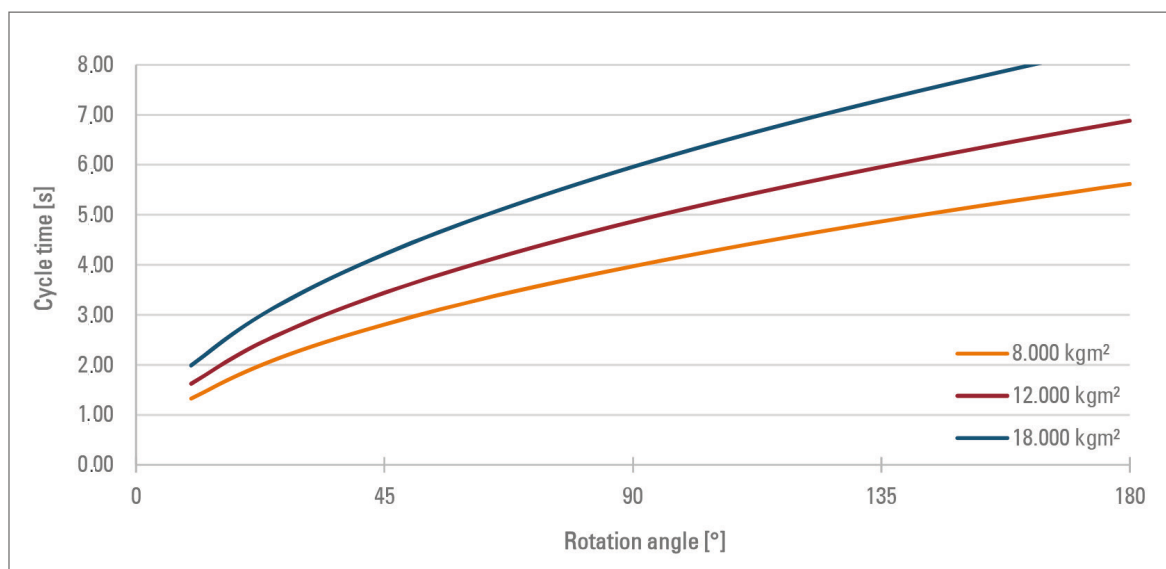
### Main dimensions

Output flange Ø [mm]	560
Height rotation center [mm]	398
Center hole Ø [mm]	190
Approx. weight of rotary indexing table with drive [kg]	420
Gear ratio	14
Positioning accuracy [“]	±30
Repeat accuracy [“]	±10
Wobble at the roll star Ø [mm]	0.02
Concentricity at the roll star Ø [mm]	0.02

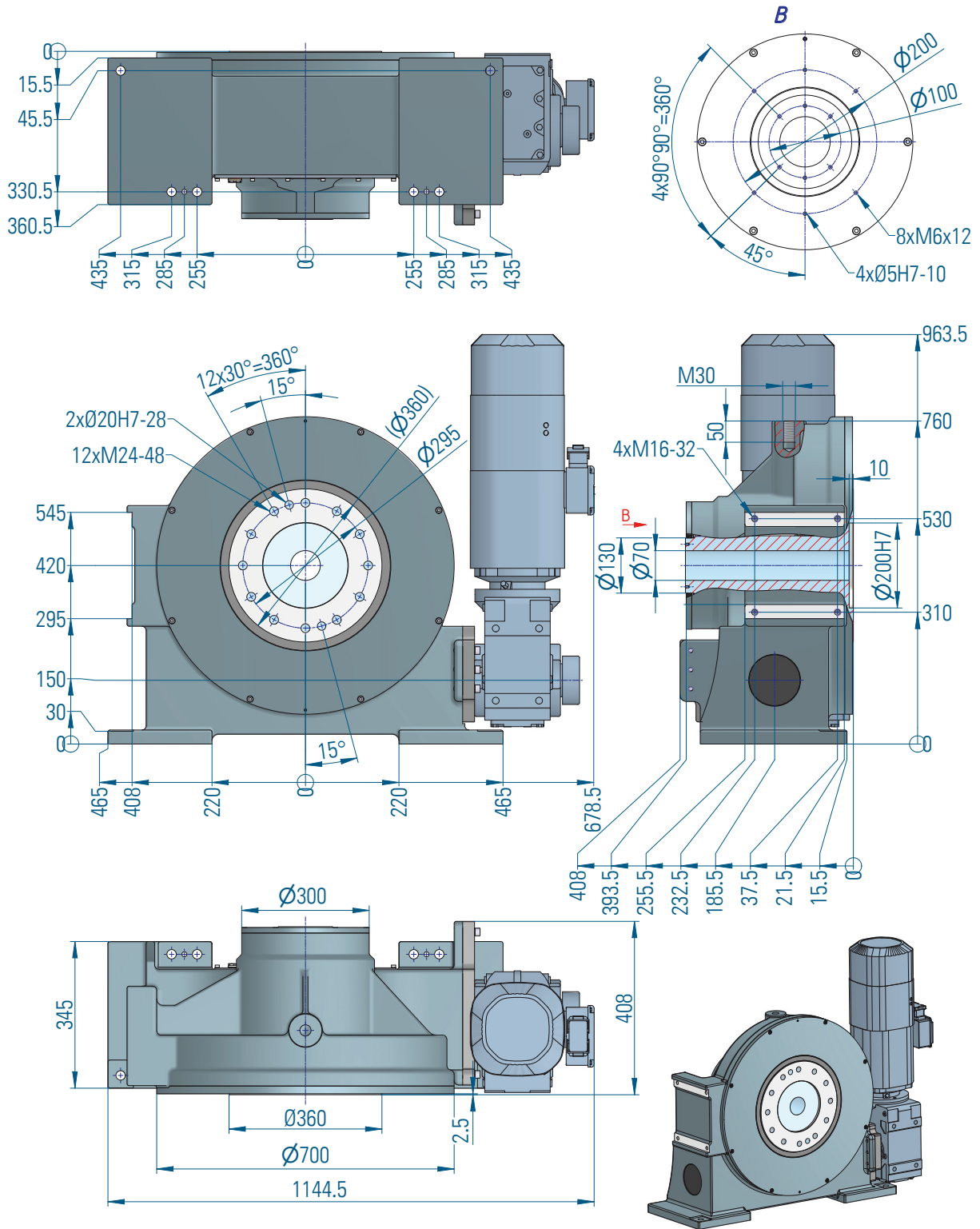
### Load on output flange

max. vertical force Ca [kN] dyn	75
max. vertical force COa [kN] stat	744
max. radial force Cr [kN] dyn	64
max. radial force COr [kN] stat	350
max. tilting moment COm [kNm]	100

These are maximum values for individual acting forces occurring. If there are several acting forces in total, please get in contact with us to help you create a calculation with the maximum permissible acting forces, moments and life cycle.



# VTMF3010



## VTMF3010 Technical Data

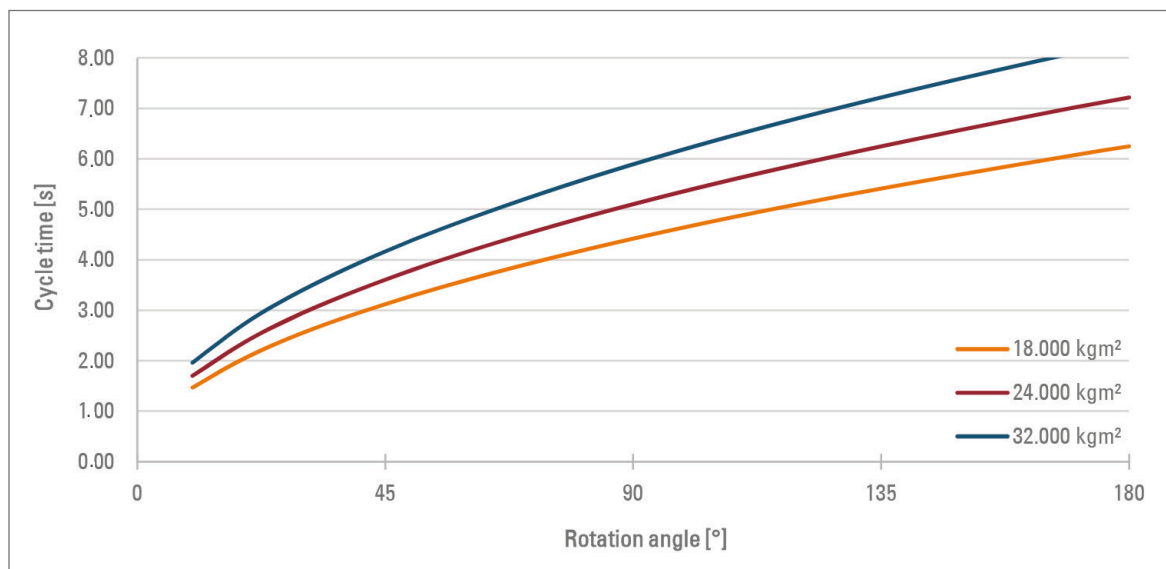
### Main dimensions

Output flange Ø [mm]	360
Height rotation center [mm]	420
Center hole Ø [mm]	80
Approx. weight of rotary indexing table with drive [kg]	810
Gear ratio	18
Positioning accuracy [“]	±30
Repeat accuracy [“]	±10
Wobble at the roll star Ø [mm]	0.02
Concentricity at the roll star Ø [mm]	0.02

### Load on output flange

max. vertical force Ca [kN] dyn	80
max. vertical force COa [kN] stat	887
max. radial force Cr [kN] dyn	85
max. radial force COr [kN] stat	543
max. tilting moment COm [kNm]	108

These are maximum values for individual acting forces occurring. If there are several acting forces in total, please get in contact with us to help you create a calculation with the maximum permissible acting forces, moments and life cycle.





**MOTION**  
INDEX DRIVES

1204 East Maple Troy MI 48083  
P: 248-743-9999 F: 248-743-0749  
[info@mid.us.com](mailto:info@mid.us.com)  
[www.motionindexdrives.com](http://www.motionindexdrives.com)